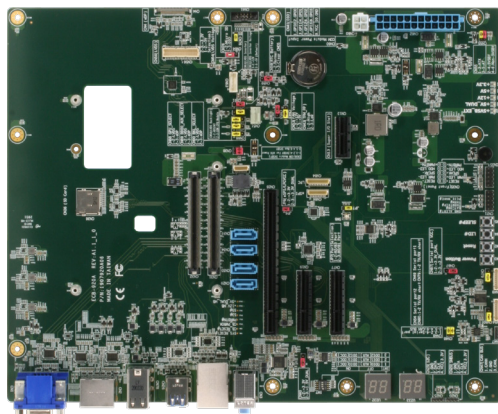
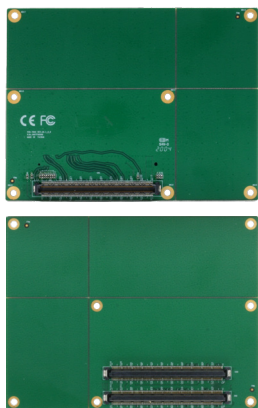


ECB-920A-A11

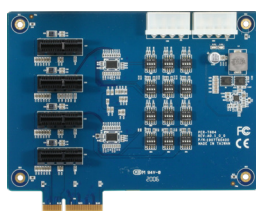
COM Express Evaluation Carrier Board (Type 6/Type 10)



PER-T603



PER-604



Features

- ATX Form Factor (305mm × 244mm)
- Supports COM Express Rev3.0, Pin out Type 6/Type 10
- PCIe [x4] x 2, PCIe [x16] x 1
- VGA Port x 1, LVDS, eDP, Display Port x 3
- USB 2.0 x 4, USB 3.2/2.0 x 4
- SATA III x 4
- RJ-45 GbE x 1, Supports up to 2.5GbE
- High Definition Audio
- LPC/eSPI Slot, GPIO/SDIO, SMBus x 1, I2C x 1
- COM Port x 2 (2-Wire UART Tx/Rx), GPIO 8-bit



Specifications

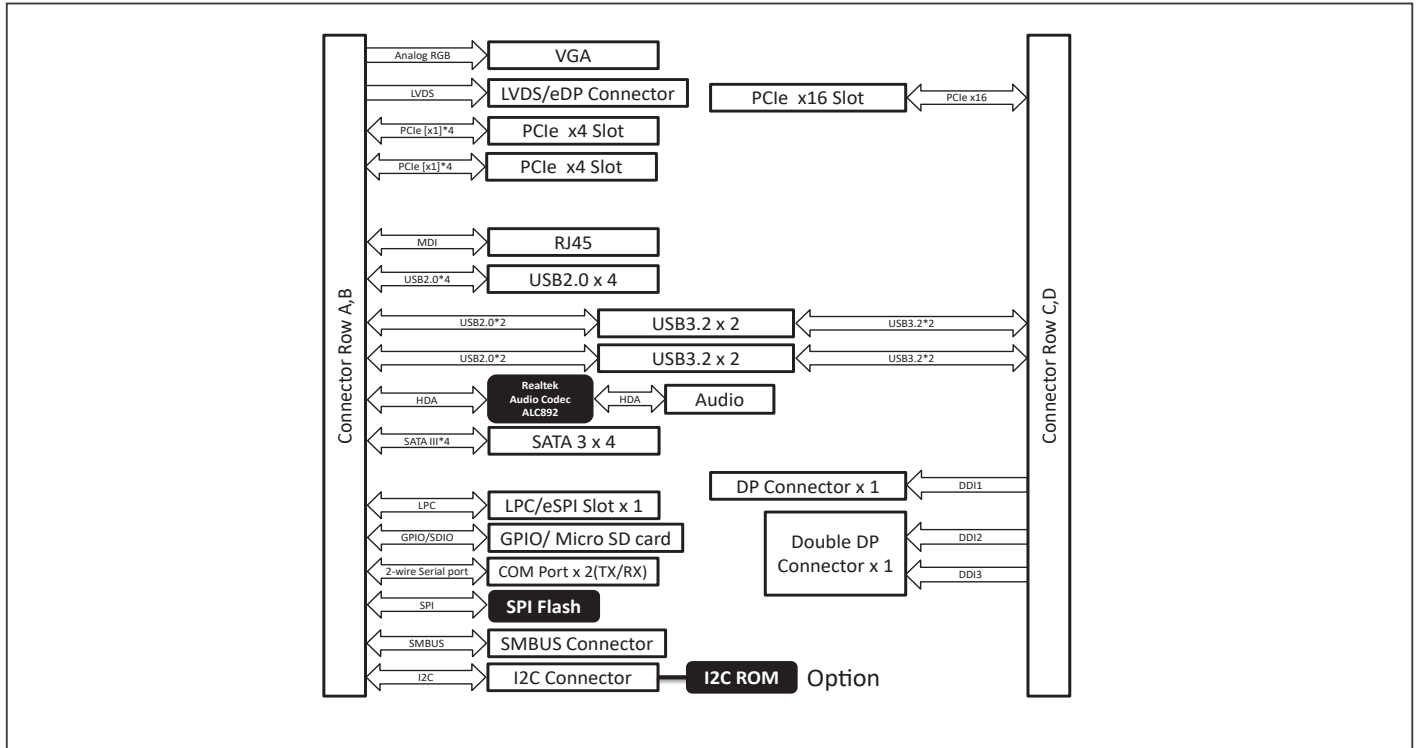
System	
Form Factor	ATX
COM Express Connector	x 2 (Row A,B & Row C,D)
I/O Chipset	—
Front Panel Control	10-pin Header (5x2)
Ethernet	10/100/1000/2500 Base-TX, RJ45 x 1 (From CPU Module)
Expansion Interface	PCIe [x4] x 2 PCIe [x16] x 1
Power Supply Type	ATX
CMOS Battery	RTC Battery Socket x 1
BIOS	—
Board Size	12" x 9.6" (304mm x 244mm)
Gross Weight	1.32 lb. (0.6Kg)
Operating Temperature	32°F ~ 140°F (0°C ~ 60°C)
Storage Temperature	-40°F ~ 185°F (-40°C ~ 85°C)
Operating Humidity	0% ~ 90% relative humidity, non-condensing
MTBF (Hours)	—
Display	
DVT/CRT/VGA	D-SUB15 Connector x 1
LVDS / eDP	LVDS: 40-pin Dual-Channel LVDS Connector (20x2) eDP: 30-pin Board Wire Connector
SDVO	—
DDI	Display Port x 3 (Dual x 1, Single x 1)
I/O	
Storage	SATA III x 4
Serial Port	COM Port x 2 (2-Wire UART Tx/Rx)
USB	USB 2.0 x 4 (Type-A), USB 3.2/2.0 x 4 (Type-A)
Audio	Audio Jack, supports Line-in, Line-out, Microphone
PS/2 Port	—
GPIO	8-bit Programmable
Switch/Button	Power Button x 1 / Reset Button x 1
Debug LED	80 PORT
I2C	1
Expansion Interface	LPC, SMBus, eSPI, CAN Bus, 4 pin fan connector, Micro SD Card Slot x 1

* I/O functions according to the type of module installed, please refer to function table.

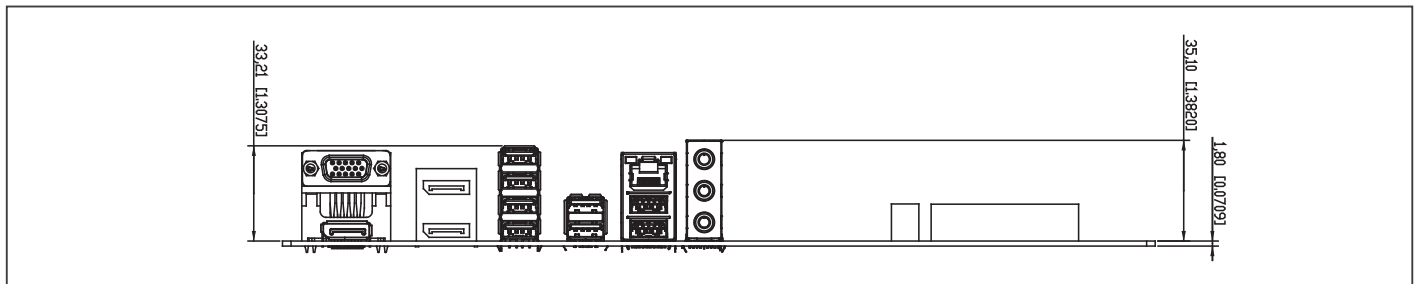
Optional Accessories

- **ECB-920A-A11-BRKT01**
ECB-920A-A11.10 Bracket
- **170X000324**
5V Power cable 1x4P to ATX 2x2P:200mm

Block Diagram Unit: mm



Dimension Unit: mm



Packing List

- PER-T603 (COM Express Type Converter Board) x 1
- PER-T604 (PCIe [x4] to PCIe [x1] x 4 Card) x 1
- Cable Kit x 1 (Including SATA Cable x 2, COM Port Cable x 2)
- ECB-920A-A11 x 1

Ordering Information

- **ECB-920A-A11-0001**
COMe Type 6/10, Carrier Board, ATX, 2.5GbE, 8USB, 2COM, 4SATA, PCIe, AT/ATX, Rev. A1.1

Type 6/10 Function Table

COM Type	Type 6	Type 10
PCIe [x16]	1	—
PCIe [x4]	1 (Lane 0 – Lane 3)	1 (Lane 0 – Lane 3)
PCIe [x1]	1 (Lane 4 – Lane 7)	—
VGA	1	—
DDI	3 (DDI1 – DDI3)	1
LVDS	1	1
LAN	1	1
SATA III	4 (Lane 0 – Lane 3)	2 (Lane 0 – Lane 1)
Serial Port (Tx/Rx)		
USB 3.2	4 (Lane 0 – Lane 3)	2 (Lane 0 – Lane 1)
USB 2.0	8 (Lane 0 – Lane 7)	8 (Lane 0 – Lane 7)
GPIO/SDIO	1 (GPIO 8 bits)	1 (GPIO 8 bits)