

ASTUT-W155-PC1S ASTUT-W153-PC1S

7th/6th Gen. Intel® Core™ i5 / Intel® Pentium® Processor
N3710 All-in-One Panel PC with Riser Card Expansion

ASTUT 3 and 5 Series 15.6"



I/O View



ASTUT-W155-PC1S



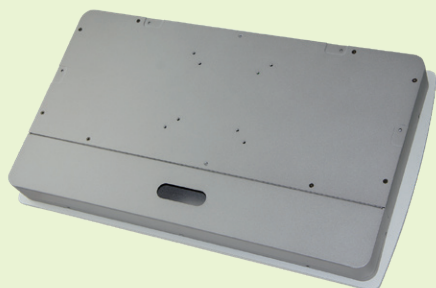
ASTUT-W153-PC1S

Features

- Optional digitizer touch pen support
- Optional wireless communication
- Full flat bezel design



- I/O cover for cable arrangement
- Aluminum housing, perfect thermal design



- With riser card expansion slot support
- PCI-E (x1) for ASTUT-W153-PC1S
- PCI-E (x4) for ASTUT-W155-PC1S



- 12V~24V DC wide-range power input



ASTUT-W155-PC1S / ASTUT-W153-PC1S

Specifications

Model No.		ASTUT-W155-PC1S	ASTUT-W153-PC1S
Display & Touch Screen	Display Size	15.6" TFT-LCD	15.6" TFT-LCD
	Max. Resolution	1366 x 768	1366 x 768
	Luminance (cd/m ²)	300	300
	Contrast	500:1	500:1
	Max. Color	16.7M	16.7M
	View Angle (H°/V°)	160/160	160/160
	Backlight Lifetime(hrs)	50,000	50,000
	Touch Type	Projected capacitive	Projected capacitive
	Touch Interface	USB	USB
	Light Transmission (%)	85	85
	Point of touch	2	2
I/O Interface	USB 3.0	4	3
	USB 2.0	0	0
	RS-232/422/485 Selectable in BIOS	1	1
	RS-232	RS-485 only	1
	LAN	2x GbE	2x GbE
	Additional Graphics	1x HDMI	None
	Audio	None	Line-out
	Digital I/O	None	None
	Power Connector	3-pin terminal block	3-pin terminal block
	Power Button	Rock switch	Rock switch
Mechanical	Dimensions (mm)	468 x 260 x 54	468 x 260 x 50.8
	Net Weight (kgs)	7	6
System	Processor	Intel® Core™ i5-6300U 2.4GHz Intel® Core™ i5-7300U 2.4GHz	Intel® Pentium® Processor N3710 1.6GHz
	Memory	2x DDR4 2133 SO-DIMM, up to 16GB, default 4GB	1x DDR3L SO-DIMM, up to 8GB, default 4GB
	Thermal Design	Fanless	Fanless
	Membrane Control	None	None
	Built-in Speaker/MIC	None	None
Expansion	Internal Expansion Bus	1x Mini PCI-E Half/Full size 1x M.2 22x30	1x Mini PCI-E half/full size 1x Mini PCI-E half size
	Expansion Slot	1x PCI-E(x4)	1x PCI-E(x1)
	Wireless	Optional Wi-Fi/BT/LTE/3G/RFID	Optional Wi-Fi/BT/LTE/3G/RFID
Storage Space	HDD	1x 2.5" M.2 22x80 default 64GB Optional 2.5" HDD	1x 2.5" SATA
	Removable	None	None
Power	Power Input Range	12V~24V DC	12V~24V DC
Construction	Chassis Material	Aluminum silver	Aluminum silver
	Color (Front/Back)	Silver / Silver	Silver / Silver
	IP Rating	IP65 front bezel	IP65 front bezel
	Mounting	Panel mount and VESA 75x75, 100x100 mm	Panel mount and VESA 75x75, 100x100 mm
Environmental	Operating Temperature	0°C ~ 50°C	0°C ~ 50°C
	Storage Temperature	-20°C ~ 60°C	-20°C ~ 60°C
	Storage Humidity	10%~90% (non-condensing)	
	Certification	CE/FCC class B and LVD	
Supported Operating Systems	Windows 10, Windows 8.1 64-bit Windows 7 (Intel® Core™ i5-6300U 2.4GHz SKU only)	Windows 10, Windows 8.1 64-bit, Windows 7 64-bit	

Vertical Applications Panel PC

INOSP: Stainless Steel Panel PC

ASTUT: All-in-one Panel PC with Riser Card Expansion

BYTEM: Compact Panel P C

IPPC: Heavy-duty Industrial Panel P C

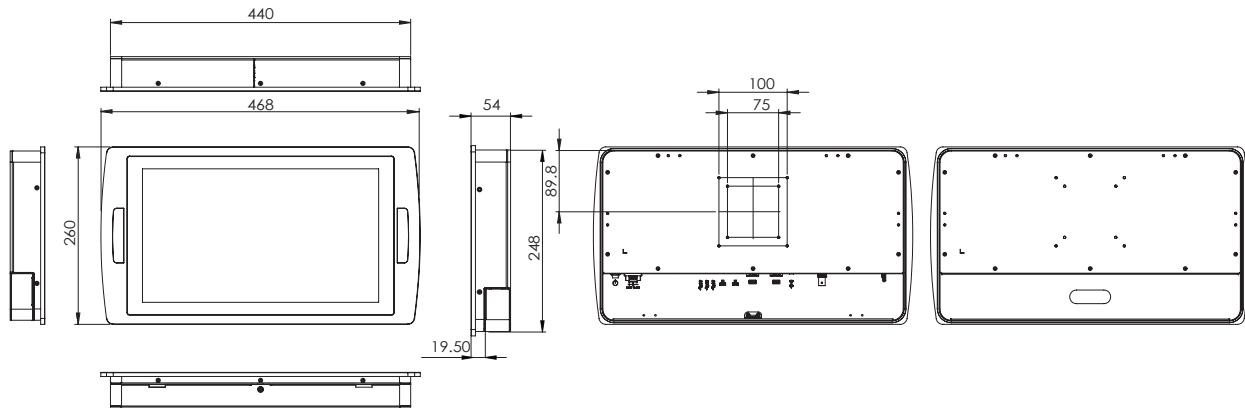
OPF FRAME P C

BYARM/MRS: ARM-Based Panel P C

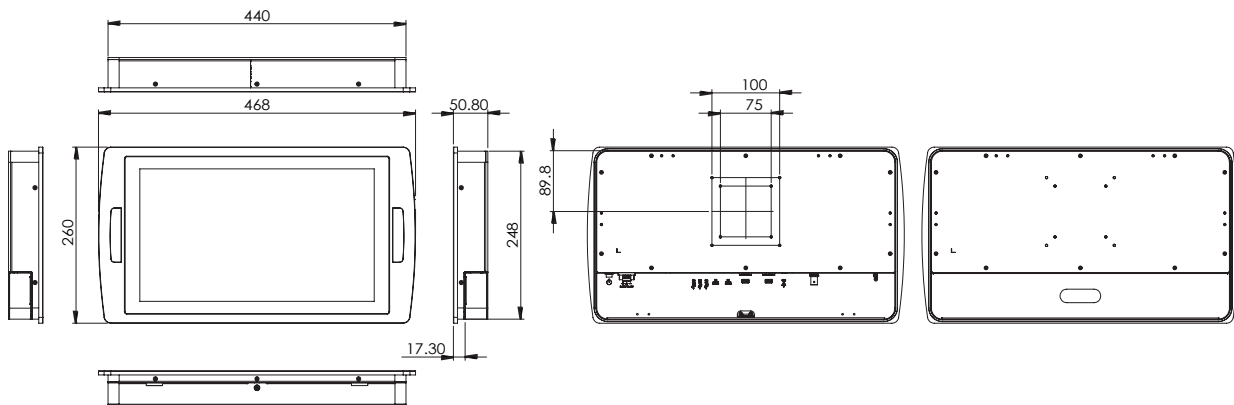
ASTUT-W155-PC1S / ASTUT-W153-PC1S

Dimensions

ASTUT-W155-PC1S



ASTUT-W153-PC1S



Ordering Information

ASTUT-W155-PC1S-K63	15.6" (1366 x 768) Panel PC with IBP-900, 7th Gen Intel® Core™ i5 7300U processor, 64GB M.2 SSD, PCI-E(x4) riser card, projective touch screen, 12V~24V DC power input, w/o power adaptor
ASTUT-W155-PC1S-S63	15.6" (1366 x 768) Panel PC with IBP-900, 6th Gen Intel® Core™ i5 6300U processor, 64GB M.2 SSD, PCI-E(x4) riser card, projective touch screen, 12V~24V DC power input, w/o power adaptor
ASTUT-W153-PC1S	15.6" (1366 x 768) Panel PC with IBP-800, Intel® Pentium® processor N3710, 4GB DDR3L memory, 64GB 2.5" half size open frame SSD, 1x PCI-E (x1), projected capacitive touch screen, optical bonding, 12V~24V DC \pm 20% power input, w/o power adaptor
ASTUT-W153-PC	15.6" (1366 x 768) Panel PC with IBP-800, Intel® Pentium® processor N3710, 4GB DDR3L memory, 64GB 2.5" half size open frame SSD, projected capacitive touch screen, optical bonding, 12V~24V DC \pm 20% power input, w/o power adaptor
Power adaptor (optional)	AC 90V~240V input, 12V DC output 84W power adaptor, IBASE P/N: A005PS084W0050000P