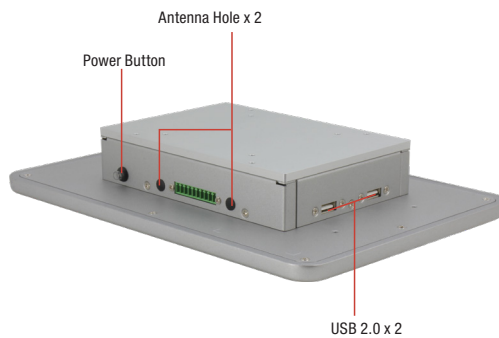


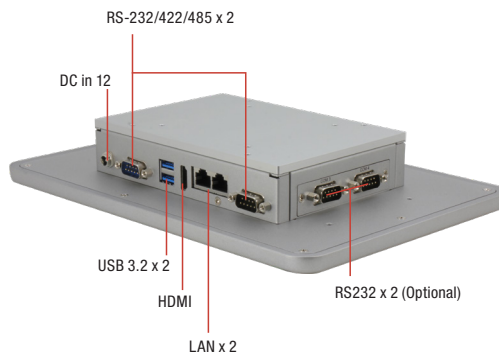
Front View



Top View



Bottom View



Features

- 10" WXGA (1280 x 800) Color TFT LCD Display
- Intel® Processor N-series Processors
- Projected Capacitive Multi Touch
- IP65 Compliant Aluminum Front Bezel
- VESA Mount/Built-in Panel Mount Bracket
- Fanless System
- 12V DC Jack

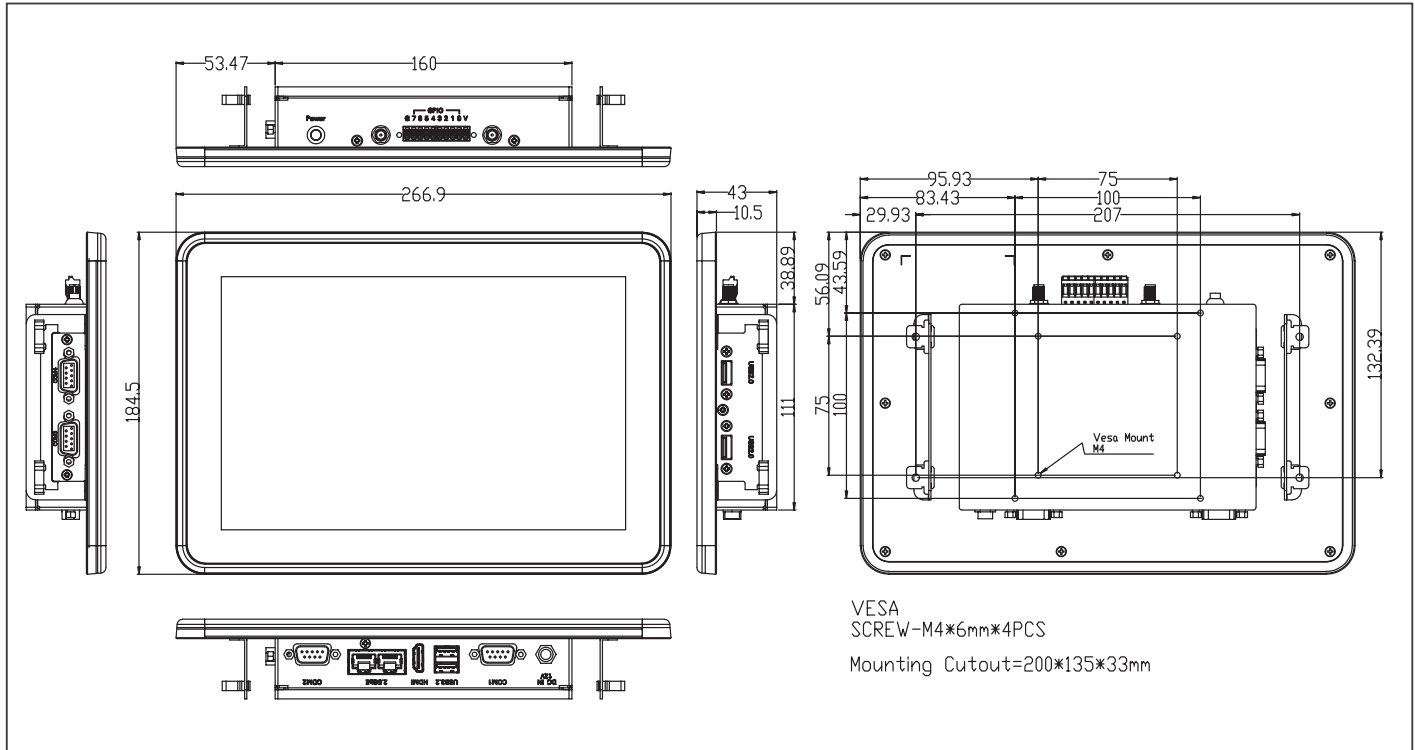


System	
Processor	Intel® Processor N50 Intel® Processor N97 *Turbo Mode is disabled by default. If enabling it, please ensure the system in a well-ventilated area.
System Memory	DDR5 4800MHz SODIMM x 1, up to 32GB
LCD/CRT controller	CPU Integrated
Ethernet	Intel® Ethernet Controller I226 GbE x 2
I/O Port	USB 3.2 x 2 USB 2.0 x 2 via Cables DB-9 x 2 for RS-232/422/485 (Set By BIOS) DB-9 x 2 for RS-232 (Optional) HDMI 1.4b x 1 2.5GbE x 2 12V DC Jack, 9~36V (Optional) Power on/off Switch with LED Light x 1
Storage Disk Drive	Full size mPCIe (PCIe [x1]/SATA)
Expansion Slot	M.2 3052 B-Key x 1 with Nano SIM M.2 2230 E-Key x 1
OS support	Windows® 10 IoT Enterprise LTSC 2021 Windows® 10/11
Mechanical	
Construction	Aluminum Front Bezel + Metal Chassis
Mounting	Panel Mount/VESA Mount (VESA 100)
Dimension	10.5" x 7.26" x 1.69" (266.9mm x 184.5mm x 43 mm)
Carton Dimension	13.3" x 10.2" x 5.9" (339mm x 260mm x 152mm)
Gross Weight	3.3 lb. (1.5Kg)
Environmental	
Operating Temperature	23°F ~ 122°F (-5°C ~ 50°C) with 0.5 m/s airflow
Storage Temperature	-4°F ~ 158°F (-20°C ~ 70°C)
Storage Humidity	90% @40°C; non-condensing
Vibration	1Grm s/5~500Hz/ operation - with mSATA
Shock	15 G peak acceleration (11 m sec. duration) with mSATA
EMC	CE/FCC Class A Compatible
Power Supply	
DC Input	DC 12V
LCD	
Display Type	10.1" TFT-LCD, LED
Max Resolution	1280 x 800
Max. Colors	262k
Luminance	300 cd/m ²
Viewing Angle	170° (H), 170° (V)
Back Light	LED
Back Light MTBF (Hours)	25,000 Hrs
Touchscreen	
Type	Projected Capacitive Multi-Touch
Light Transmission	90%



Dimension

Unit: mm



Packing List

- ACP-2106
- Panel Mount
- Screw Pack
- 125530060Y
12V 60W Power Adapter

Optional Accessories

Part Number	Description
170X000799	Power Cord (US Type)
170X000800	Power Cord (European Type)
170X000803	Power Cord (Japanese Type)
M041073020	Stand Kit

Ordering Information

Part Number	Display Type	Resolution	Luminance	View Angle	Backlight MTBF	CPU	LAN	USB 3.2	USB 2.0	RS-232	RS-232/422/485	Storage	RAM	Display	Expansion	Mounting	Power	Temp	Touch
ACP-2106HTT-A1-1010	10.1" TFT-LCD	1280 x 800	300 cd/m ²	170° (H), 170° (V)	25,000 Hrs	Intel® Processor N50	2.5GbE x 2	2	2	2 (Optional)	2	Full size mPCIe (PCIe [x1]/SATA)	DDR5, up to 32GB	HDMI x 1	M.2 3052 B-Key x 1 M.2 2230 E-Key x 1	Panel Mount/VESA Mount	DC 12V	23°F ~ 122°F (-5°C ~ 50°C) with airflow	PCAP T/S
ACP-2106HTT-A2-1010	10.1" TFT-LCD	1280 x 800	300 cd/m ²	170° (H), 170° (V)	25,000 Hrs	Intel® Processor N97	2.5GbE x 2	2	2	2 (Optional)	2	Full size mPCIe (PCIe [x1]/SATA)	DDR5, up to 32GB	HDMI x 1	M.2 3052 B-Key x 1 M.2 2230 E-Key x 1	Panel Mount/VESA Mount	DC 12V	23°F ~ 122°F (-5°C ~ 50°C) with airflow	PCAP T/S